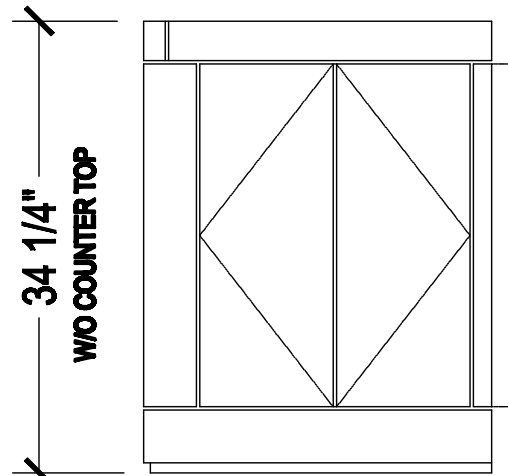
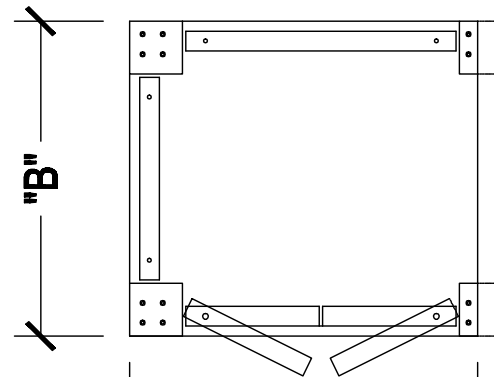


# END CABINET



FRONT VIEW



"A"  
PLAN VIEW

## END CABINET SIZES

MODEL	"A"	"B"
E 2424	26 3/8"	23 7/8"
E 3024	32 3/8"	23 7/8"
E 3624	38 3/8"	23 7/8"
E 2430	26 3/8"	29 7/8"
E 3030	32 3/8"	29 7/8"
E 3630	38 3/8"	29 7/8"